
FTCS-M131X-02DXX 10Gbps 220m Multi Mode Datacom SFP+ Transceiver

Features

- ◆ Supports Up to 10.3Gbps bit rates
- ◆ Transmission distance up to 220m (OM1 fiber)
- ◆ Hot Pluggable SFP+ footprint
- ◆ 1310nm FP transmitter, PIN photo-detector
- ◆ Digital Status monitoring Interface
- ◆ Duplex LC connector
- ◆ RoHS compliant and Lead Free
- ◆ Metal enclosure for lower EMI
- ◆ Single 3.3V power supply
- ◆ Power dissipation < 1W
- ◆ Compliant with FC-PI-4 800-Mx-SN-I, SFF-8431 , SFF-8432 and SFF-8472
- ◆ Operating case temperature:
 - Standard : 0 to +70°C
 - Industrial : -40 to +85°C

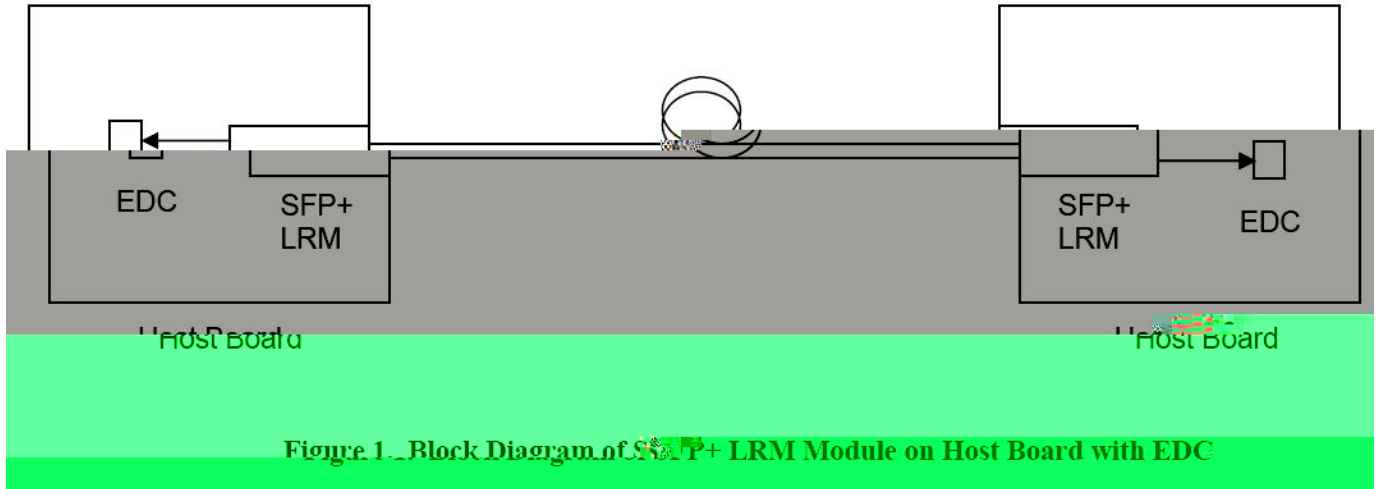
Applications

- ◆ 10GBASE-LRM 10G Ethernet
- ◆ Legacy FDDI multimode links

Product description

F-tone Networks'

legacy installed FDDI multimode fiber (see IEEE802.3aq for detailed information regarding fiber coverage).



Unlike the XFP MSA transceiver requirements, the SFP+ transceiver does not contain internal retiming circuitry, and thus some of the Transmitter Optical Characteristics stated in this data sheet require that the Host Board is compliant to the SFP+ MSA specifications. See Chapter 3 in Reference [1] for further details.

Absolute maximum rating

These values represent the damage threshold of the module. Stress in excess of any of the individual Absolute Maximum Ratings can cause immediate catastrophic damage to the module even if all other parameters are within Recommended Operating Conditions.

Parameters	Symbol	Min.	Max.	Unit
Power Supply Voltage	V _{CC}	0	+3.6	V
Storage Temperature	T _c	-40	+85	°C
Operating Case Temperature	T _c	0	+70	°C
Relative Humidity	RH	5	95	%

Recommended operating environment

Recommended Operating Environment specifies parameters for which the electrical and optical characteristics hold unless otherwise noted.

Parameter	Symbol	Min.	Typical	Max	Unit
Power Supply Voltage	V _{CC}	3.135	3.300	3.465	V
Operating Case Temperature	T _c	0	25	70	°C

LOW Speed Characteristics

Parameter	Symbol	Min.	Typical	Max	Unit
Power Consumption			0.8	1	W
TX_Fault,RX_LOS	VOL	0		0.4	V
	VOH	Host_Vcc-0.5		Host_Vcc+0.3	V
TX_DIS	VIL	-0.3		0.8	V
	VIH	2.0		VCCT+0.3	V
RS0,RS1	VIL	-0.3		0.8	V
	VIH	2.0		VCCT+0.3	V

Electrical characteristics

Parameter	Conditions	Symbol	Min.	Typical	Max	Unit
Nominal Data Rate		VID		10.3125		Gbps
Supply Voltage		Vcc	3.14		3.46	V
Supply Current		Icc		200	300	mA
Power Dissipation		P			1	W
Transmitter						
Input differential impedance	2	R _{in}		100		
Single ended data input swing	3	V _{in,pp}	90		350	mV
Transmit Disable Voltage	4	V _D	2		Vcc	V
Transmit Enable Voltage		V _{EN}	Vee		Vee+0.8	V
Receiver						
Termination Mismatch at 1 MHz		Z _M			5	%
			-0.3		4.0	V
					7.5	mV



Power Supply Noise Tolerance	9	VccT/VccR	per SFF-8431	mVpp
------------------------------	---	-----------	--------------	------

Notes:

1. Non-condensing.
2. Connected directly to TX data input pins. AC coupling from pins into laser driver IC.
3. Per SFF-8431 Rev 3.0
4. Into 100 ohms differential termination.
5. Measured with Module Compliance Test Board and OMA test pattern.
6. Crosstalk source rise/fall time (20%-80%) is 35 ps.
7. Defined with reference receiver with 14 T/2 spaced FFE taps and 5 T spaced DFE taps.
8. LOS is an open collector output. Should be pulled up with 4.7k – 10k on the host board. Normal operation is logic 0; loss of signal is logic 1. Maximum pull-up voltage is 5.5V.
9. As described in Section 2.8.1, SFF-8431 Rev 3.0.

General Specifications

Parameter	Symbol	Min.	Typical	Max	Unit	Notes
Bit Rate	BR		10.3125		Gb/sec	1
Bit Error Ratio	BER			10 ⁻¹²		2
Maximum Supported Distances						
Fiber Type	1310nm OFL Bandwidth					
62.5μm	“FDDI” 160MHz/km OM1	Lmax		220	m	3
	200MHz/km			220		
50μm	400MHz/km	Lmax		100	m	3
	OM2 500MHz/km			220		
	OM3 2000MHz/km			220		

Notes:

1. 10GBASE-LRM
2. Tested with a 231 – 1 PRBS
3. Operating range as defined by IEEE standards. Longer reach possible depending upon link implementation.

Optical characteristics

Parameter	Symbol	Min.	Typical	Max	Unit	Notes
Transmitter						
Center Wavelength	t	1260		1355	nm	
RMS spectral width	rms @1260nm			2.4		2
	rms @ 1260nm-1300	-	-	2.4	nm	
	rms @ 1300nm-1355			4		
Average Optical Power	Pavg	-6.5	-	0.5	dBm	1
Extinction Ratio	ER	3.5	-	-	dB	
Optical Modulation Amplitude (OMA)	POMA	-4.5		+1.5	dBm	
Peak Launch Power	P _{MAX}			3	dBm	
Transmitter Waveform Dispersion Penalty	TWDP			4.7	dB	3
Average Launch power of OFF transmitter	POFF			-30	dBm	
Uncorrelated Jitter [rms]	T _{xj}			0.033	UI	
Encircled Flux	<5 μ m	30			%	
	<11 μ m	81				
Transmitter Reflectance				-12	dB	
Optical Return Loss Tolerance		20			dB	
Relative Intensity Noise	Rin			-128	dB/Hz	
Receiver						
Comprehensive Stressed Receiver Sensitivity (OMA) @ 10.3125Gb/s	Precursor	-	-	-6.5	dBm	5
	Symmetrical			-6	dBm	
	Postcursor			-6.5	dBm	
LOS Assert	LosA	-30	-		dBm	
LOS De-assert	LosD			-11	dBm	
Overload	P _{MAX}	+1.5	-		dBm	4
Receiver Reflectance		-	-	-12	dB	
LOS Hysteresis		0.5			dB	

Notes:

1. Average power figures are informative only, per IEEE802.3aq
2. Maximum RMS spectral width as specified by Figure 3
3. Optical Eye Mask requires the host board to be SFF-8431 compliant. Optical eye mask per IEEE802.3aq.
4. TWDP figure requires the host board to be SFF-8431 compliant. TWDP is calculated using the Matlab code provided in clause 68.6.6.2 of IEEE802.3aq
5. Receiver overload specified in OMA and under the worst comprehensive stressed condition.
6. Conditions of stressed receiver tests per IEEE802.3aq. CSRS testing requires the host board to be SFF-8431 compliant.

Digital Diagnostic Functions

The following digital diagnostic characteristics are defined over the Recommended Operating Environment unless otherwise specified. It is compliant to SFF8472 Rev9.2 with internal calibration mode. For external calibration mode please contact our sales staff.

Parameter	Symbol	Min.	Max	Unit	Notes
Accuracy					
Transceiver Temperature	DMI_Temp	-3	+3	degC	Over operating temp
TX Output optical power	DMI_TX	-3	+3	dBm	
RX Input optical power	DMI_RX	-3	+3	dBm	-3dBm to -12dBm range
Transceiver Supply voltage	DMI_VCC	-0.08	+0.08	V	Full operating range
Bias current monitor	DMI_Ibias	-10%	10%	mA	
Dynamic Range Accuracy					
Transceiver Temperature	DMI_Temp	-5	70	degC	
TX Output optical power	DMI_TX	-9	-1	dBm	
RX Input optical power	DMI_RX	-18	0	dBm	
Transceiver Supply voltage	DMI_VCC	3.0	3.6	V	
Bias current monitor	DMI_Ibias	0	70	mA	

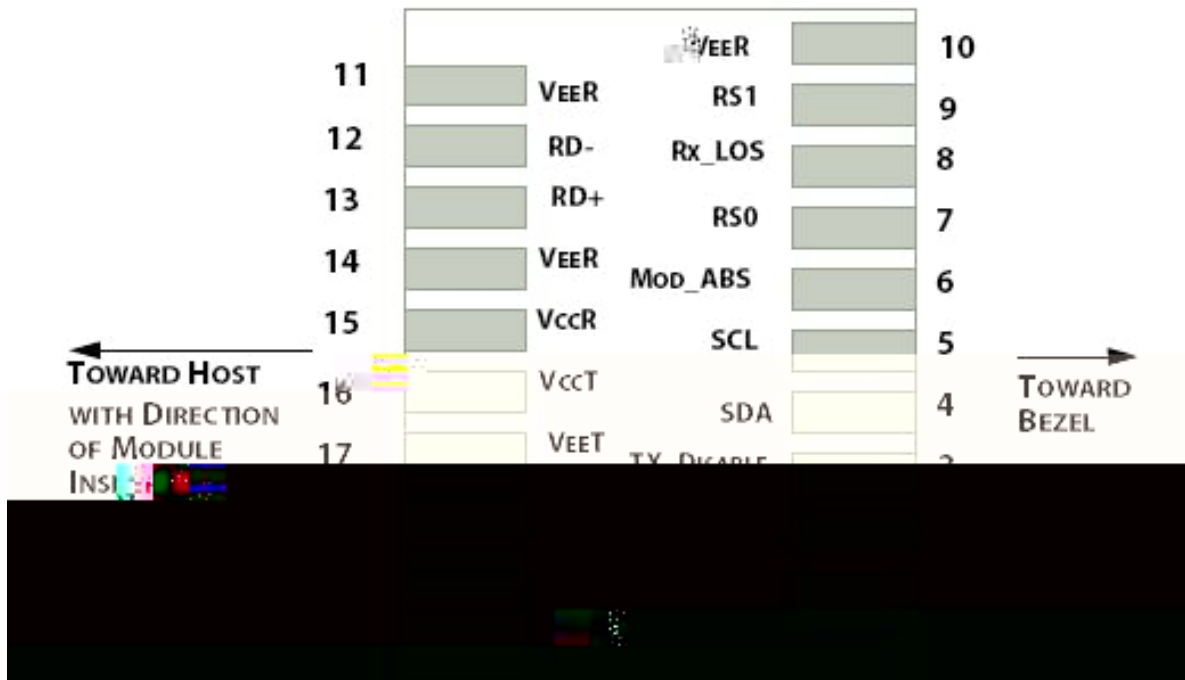


Figure 2: Interface to Host PCB

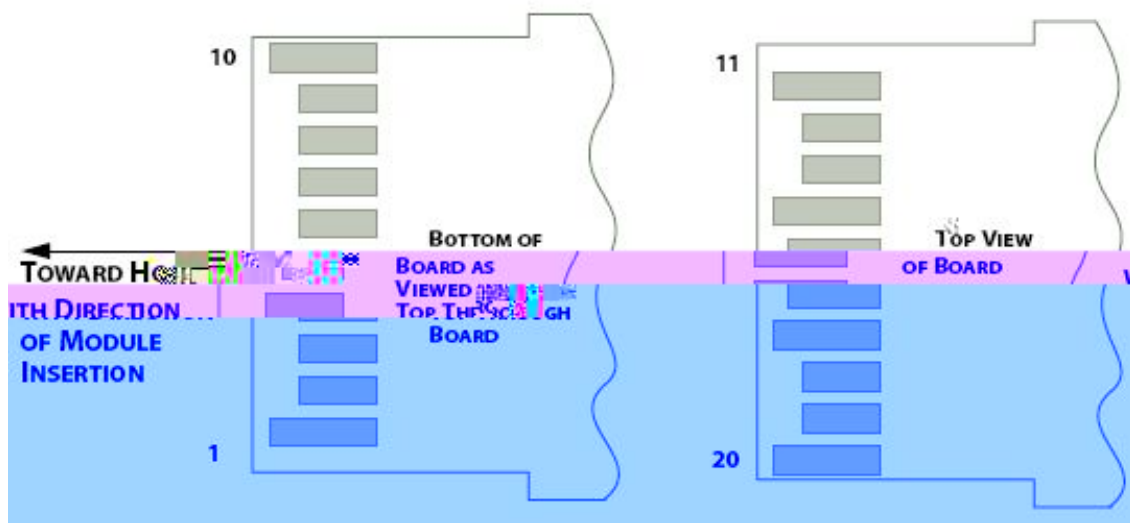


Figure 3: Module Contact Assignment

Pin definition

Pin	Symbol	Name/Description
1	VEET [1]	Transmitter Ground



2	Tx_FAULT [2]	Transmitter Fault
3	Tx_DIS [3]	Transmitter Disable. Laser output disabled on high or open
4	SDA [2]	2-wire Serial Interface Data Line
5	SCL [2]	2-wire Serial Interface Clock Line
6	MOD_ABS [4]	Module Absent. Grounded within the module
7		

北亿纤通科技有限公司

集团旗下

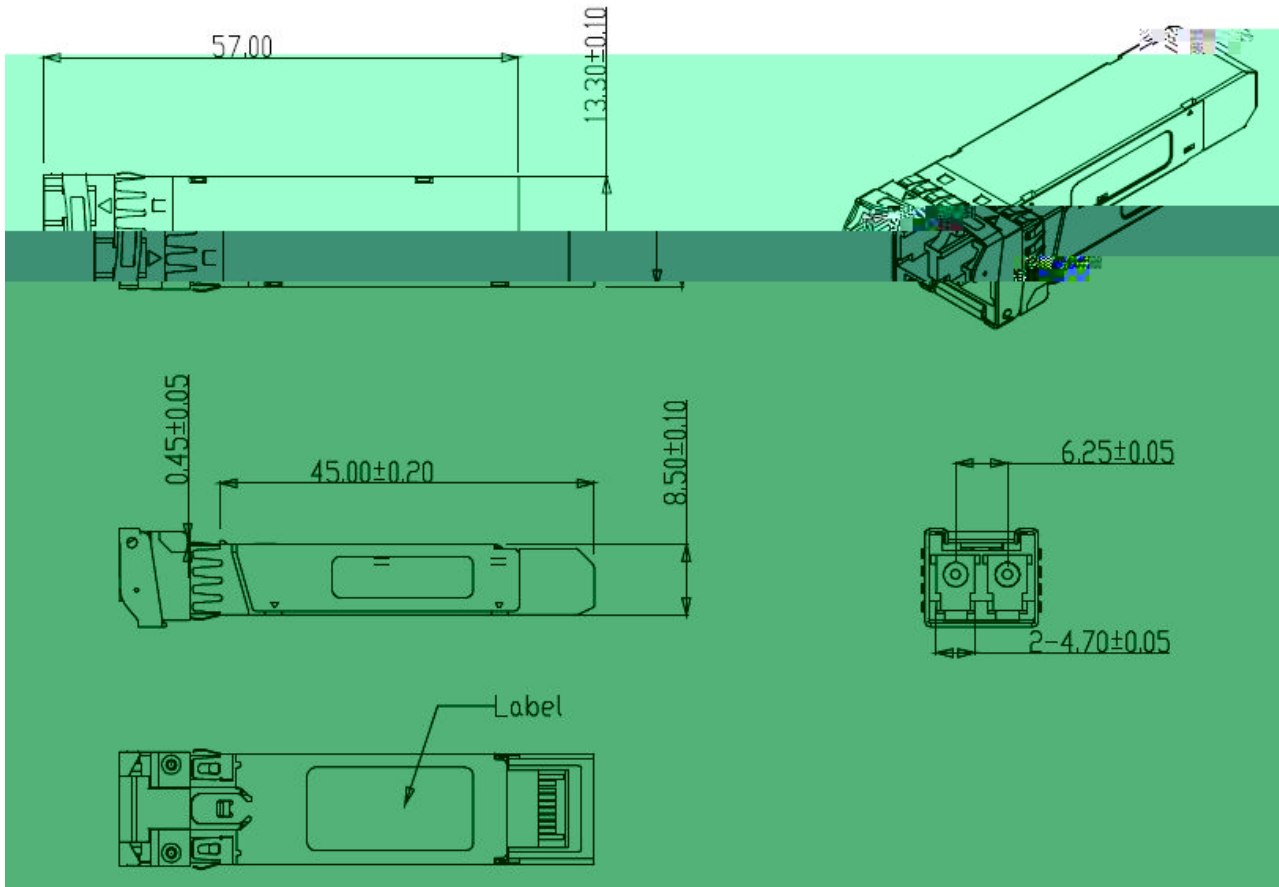


Figure6. Mechanical Specifications

Regulatory Compliance

F-tone Networks SFP+ transceiver is designed to be Class I Laser safety compliant and is certified per the following standards:

Feature	Agency	Standard
Laser Safety	FDA	CDRH 21 CFR 1040 and Laser Notice No. 50
Product Safety	UL	UL and CUL EN60950-2:2007
Environmental protection	SGS	RoHS Directive 2002/95/EC
EMC	WALTEK	EN 55022:2006+A1:2007 EN 55024:1998+A1+A2:2003

Ordering information

Part Number	Product Description
FTCS-M131X-02D	1310nm, 10.3125Gpbs, Multi Mode 220m, 0°C ~ +70°C
FTCS-M131X-02DI	1310nm, 10.3125Gpbs, Multi Mode 220m, -40 to +85°C

References

1. "Specifications for Enhanced Small Form Factor Pluggable Module SFP+", SFF-8431, Rev 4.1, July 6, 2009.
2. "Improved Pluggable Formfactor", SFF-8432, Rev 4.2, Apr 18, 2007
3. IEEE802.3aq
4. "Diagnostic Monitoring Interface for Optical Transceivers" SFF-8472, Rev 10.3, Dec 1, 2007

Important Notice

Performance figures, data and any illustrative material provided in this data sheet are typical and must be specifically confirmed in writing by F-tone Networks before they become applicable to any particular order or contract. In accordance with the F-tone Networks policy of continuous improvement specifications may change without notice.

The publication of information in this data sheet does not imply freedom from patent or other protective rights of F-tone Networks or others. Further details are available from any F-tone Networks sales representative.